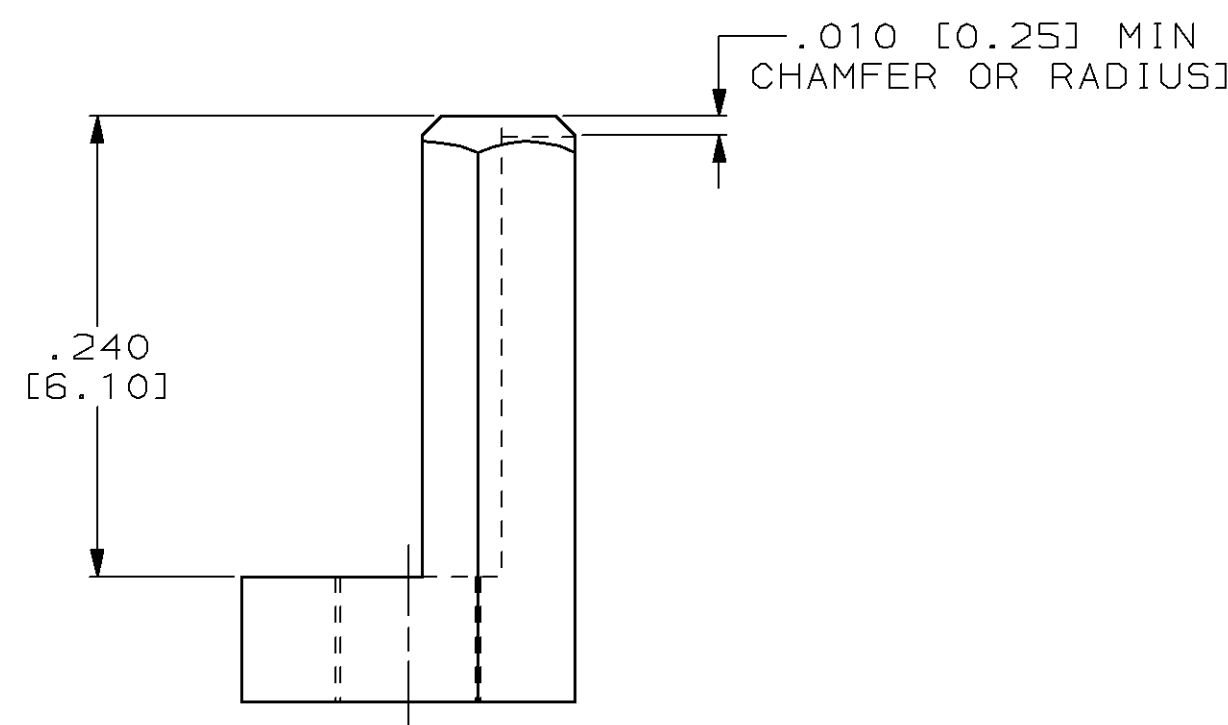
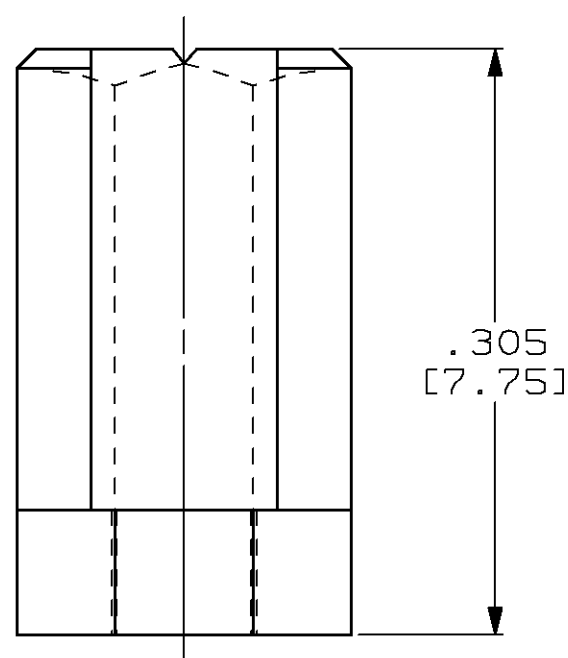
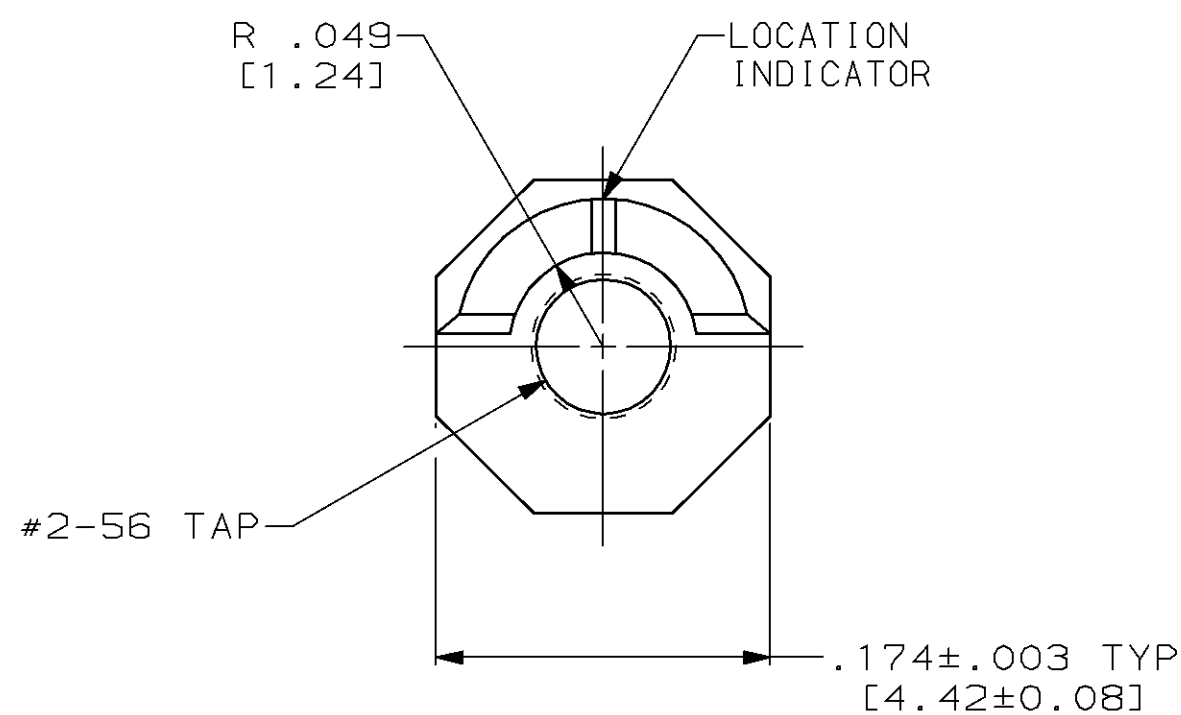


THIS DRAWING IS UNPUBLISHED. RELEASED FOR PUBLICATION ,19 .
 © COPYRIGHT 19 BY AMP INCORPORATED. ALL INTERNATIONAL RIGHTS RESERVED.

PROD CODE	LOC	DIST	P	F	REVISIONS			
					ZONE	LTR	DATE	APPD
5394	DF	FO			F1	REDRAWN & REVISED PER ECN DF-4625 T.S.	2-23-93	DM
					G	REV PER 0600-5094-96 JB	08-03-97	DM



- ① RECEPTACLE KIT CONSISTING OF 2 PIECES OF 530341-1 AND 2 #2-56 SCREWS, 1/4" LONG.
- ② PIN HEADER KIT CONSISTING OF 2 PIECES OF 530341-1 AND 2 PIECES OF 530347-1.
- ③ PIN HEADER KIT CONSISTING OF 2 PIECES OF 530341-1 AND 2 PIECES OF 530347-3.
- ④ CONSISTS OF 2 PIECES OF 530341-1.
- ⑤ PIN HEADER KIT CONSISTING OF 2 PIECES OF 530341-1 AND 2 #2-56 CROSS RECESSED ROUND HEADED SCREWS .250 LONG.
- ⑥ RECEPTACLE KIT CONSISTING OF 2 PIECES OF 530341-1 AND 2 PIECES OF 530347-2.

⑥	---	530341-8
⑤	---	530341-7
④	---	530341-6
③	---	530341-5
②	---	530341-4
①	---	530341-3
AS SHOWN	M55302/31-04	530341-1
REMARKS	MILITARY PART NUMBER	PART NUMBER

DO NOT SCALE PRINT. UNLESS SPECIFIED DIMENSIONS IN INCHES [mm] TOLERANCES ON : 2 PLC DEC ± _____ 3 PLC DEC ± .005 [0.13] ANGLES ± _____	DR 4-18-91 T. SHUEY	AMP Incorporated Harrisburg, PA 17105-3608	
	CHK 2-23-93 D. MILLER		
MATERIAL STAINLESS STEEL PER ASTM-A-582	APPD 2-23-93 B. FOLEY	EXTERNAL KEY, BOX CONNECTOR	
FINISH PASSIVATED PER QQ-P-35	APPD 2-23-93 T. ALEXANDER	SIZE C 00779	DRAWING NO 530341
	PRODUCT SPEC -	SCALE 10:1	SHEET 1 OF 1
	APPLICATION SPEC -		
	WEIGHT -		

530341

A

D

C

B

A

D

C

B

A

D

C

B

A

D

C

B

A

D

C

B

A

D

C

B

A

D

C

B

A

D

C

B

A

D

C

B

A

D

C

B

A

D

C

B

A

D

C

B

A

D

C

B

A

D

C

B

A

D

C

B

A

D

C

B

A

D

C

B

A

D

C

B

A

D

C

B

A

D

C

B

A

D

C

B

A

D

C

B

A

D

C

B

A

D

C

B

A

D

C

B

A

D

C

B

A

D

C

B

A

D

C

B

A

D

C

B

A

D

C

B

A

D

C

B

A

D

C

B

A

D

C

B

A

D

C

B

A

D

C

B

A

D

C

B

A

D

C

B

A

D

C

B

A

D

C

B

A

D

C

B

A

D

C

B

A

D

C

B

A

D

C

B

A

D

C

B

A

D

C

B

A

D

C

B